

TECHNOLOGY FOR THE WELDER'S WORLD.

Easy. Efficient. Hard Automation. **ABI-CAR** welding tractors



www.binzel-abicor.com

Manufacture more efficiently!

Mechanized welding with ABI-CAR welding tractors.



First steps into hard automation ...

Economical entry-level solutions.

ABI-CAR welding tractors close the gap between classic hand welding and fully automated welding. The mechanized welding tractors are the ideal entry-level solution into hard automation and are suitable for the mechanized automation of arc welding processes. They support the process technology and process ergonomics of longitudinal seams easily and safely.

“Ready to weld” packages.

ABI-CAR welding tractors can be customized perfectly to individual requirements. There is a wide range of mechanical components available for this purpose. In addition, ABICOR BINZEL offers high-quality welding equipment, such as torches, coolers, and

hose packages, for all material groups and electric arc process variants. All components are built in a modular system, which allows fast installation and support the welder’s productivity.

Packages for Hard Automation.

ABICOR BINZEL is proud to introduce the first of several new hard automation portfolio products. Modularly constructed complete packages offer a particularly simple entry into semi-automated welding. They are ideally suited to the requirements of companies that want to increase welding capability without investing in a cost-intensive robot welding system or compromising on quality. ABICOR BINZEL components offer an entry into automation and prepare the steps for robotics at the same time.

Take advantages!

Economical solutions for a wide range of applications.

ABI-CAR welding tractors are ideal for long seam welding.



Clear arguments.

The ABI-CAR welding tractors are the entry into automation and offer multiple advantages compared to manual welding:

Easy integration: Easy connection to all commercially available hand welder sets

Optimum seam quality: consistently high-quality welding results even with long parts

Increased productivity: Constantly high welding speed and uninterrupted welding

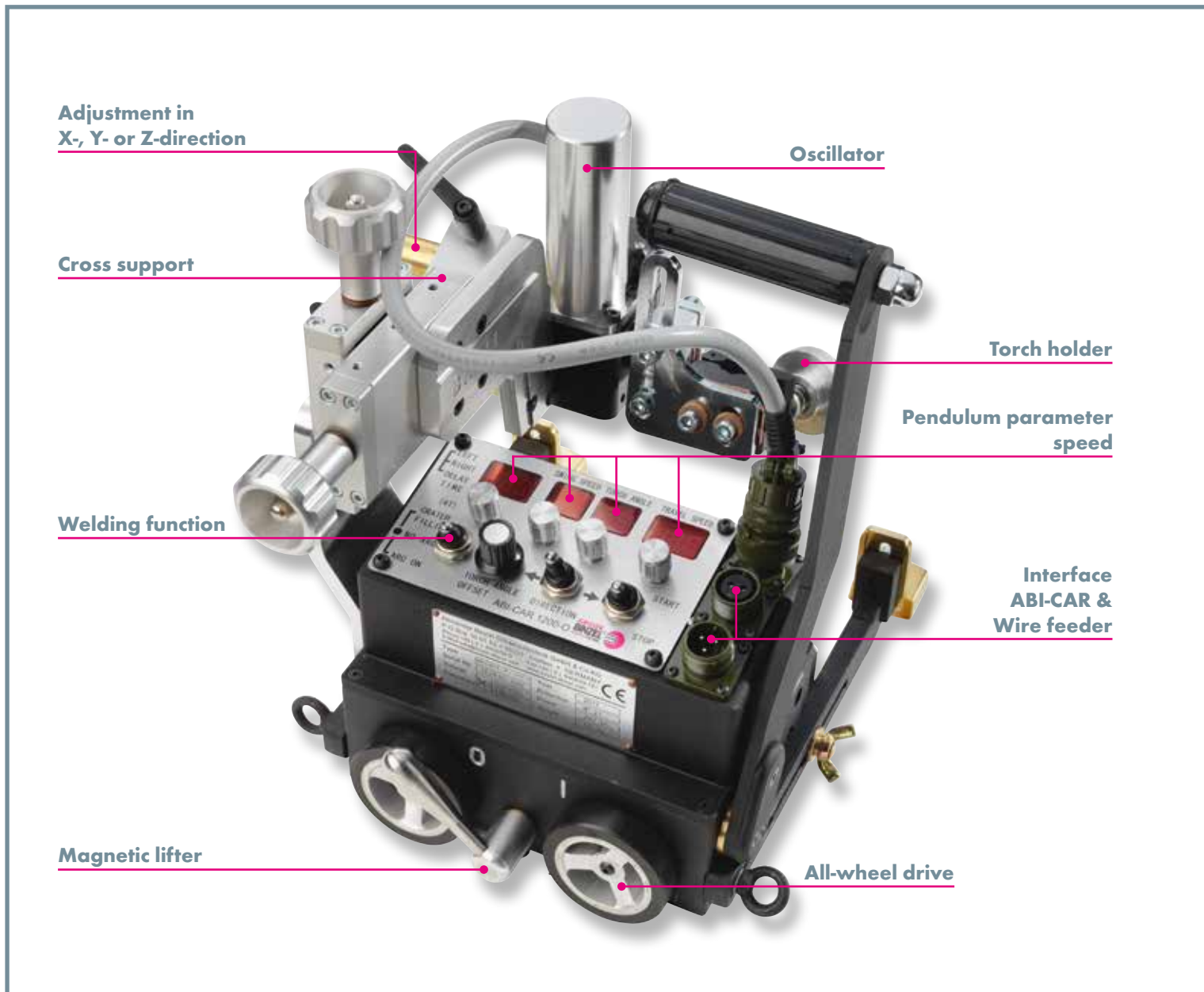
Simple handling: Simple, safe handling – also suitable for operators

Better ergonomics: Reduced physical exertion – less absences

Premium quality: All tractors and accessories fulfill the high ABICOR BINZEL quality requirements

ABI-CAR E-1200-O (with Oscillator)

Part Number 522.0070.1



Program-controlled movement and easy power source integration

The welding tractor ABI-CAR E-1200-O with integrated oscillator unit relieves the welder and allows perfect welding beads in consistently high quality.

Adjustable oscillator unit: Variety of options (symmetrical/asymmetrical oscillator, time lag center/left/right, frequency and width offset)

Clear digital display: Showing speed, oscillator delay, oscillator width offset and oscillator frequency

5-axis torch adjustment: Flexible torch positioning (also while driving) via cross support (50 mm x-y), suitable for torch necks up to 25 mm diameter

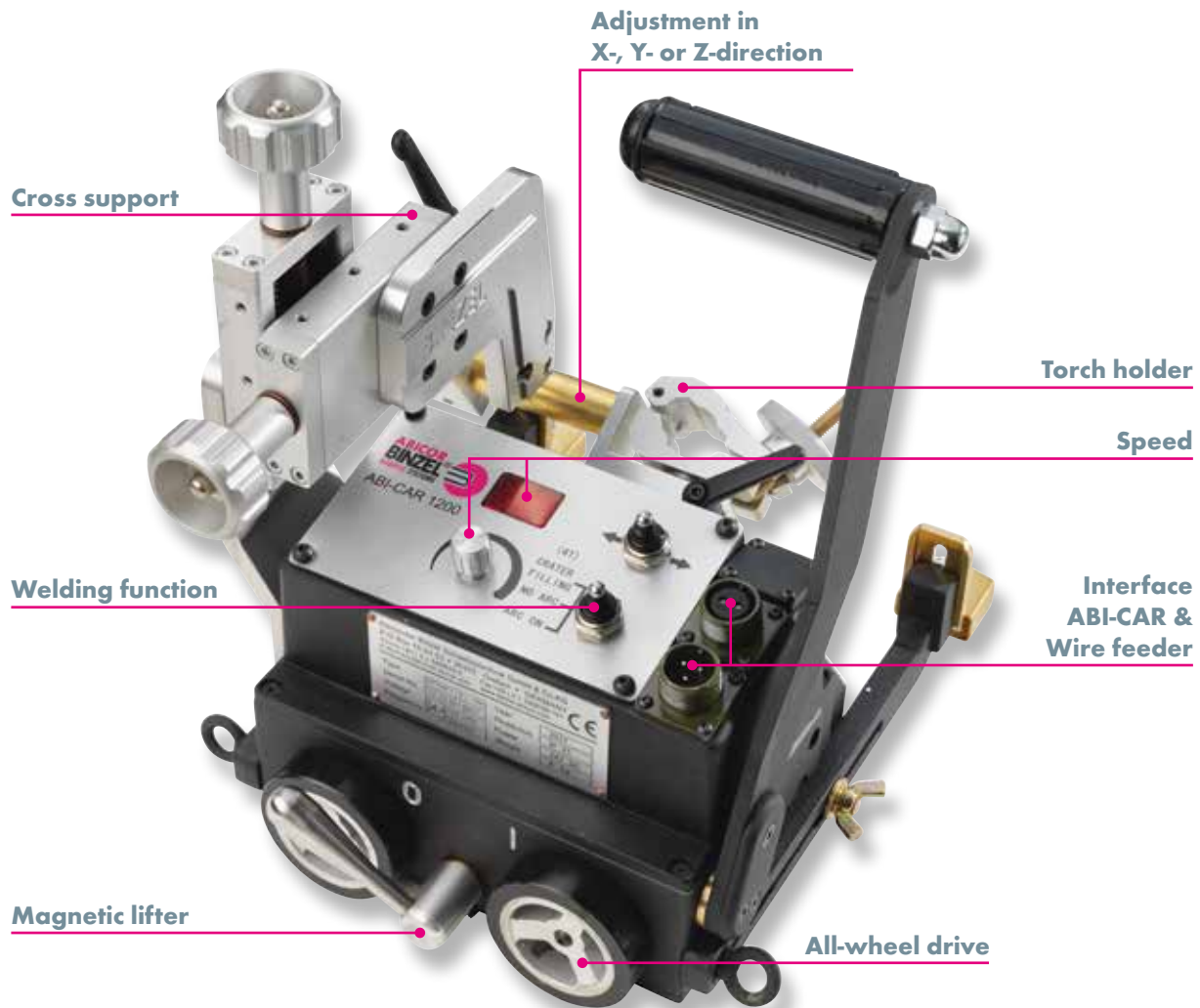
Flexible seam tracking: Integrated magnet

Increased speed: Welding tractor operates at a precisely adjustable speed up to 1200 mm/min

Convenient additional functions: Auto start/stop, manually controllable end crater fill for current sources with 4-cycle control system (pre-, main, re-welding cycle and welding end)

ABI-CAR E-1200

Part Number 522.0069.1



Reliable and repeatable weld quality - in less time

The flexible ABI-CAR E-1200 welding tractor with increased driving speed relieves welders and facilitate perfect welding results with long seams.

Simple operation: Digital controller and display of the speed for optimum process control

5-axis torch adjustment: Flexible torch positioning (also while driving) via cross support (50 mm x-y), suitable for torch necks up to 25 mm diameter

Flexible seam tracking: Integrated magnet

Increased speed: Welding tractor operates at a precisely adjustable speed up to 1200 mm/min

Convenient additional functions: Auto start/stop, manually controllable end crater fill for current sources with 4-cycle control system (pre-, main, re-welding cycle and welding end)

ABI-CAR Accessories

Connector Cable

Jumper Leads

Description	Part No.
Jumper to TWECO® 1/4" spades	175.9120
Jumper to LINCOLN® 5-Pin amphenol	175.9121
Jumper to ESAB® 2-Pin twist lock	175.9148.US
Jumper to PANASONIC® / OTC® 2-Pin female	175.9126
Jumper to FRONIUS® rectangular multi-pin	175.9134.US



Brackets

Description	Part No.
ABICAR Bracket for SpinArc Torch	979.0075



Track System

Track System

Number	Description	Part No.
1	ABI-CAR E-1200 Series Track Kit 1.8m (71") with ON/OFF Magnets	522.0141.1
2	ABI-CAR E-1200 Series Track Section 1.8m (71")	522.0175.1
N/S	ABI-CAR E-1200 Series Track Section 1.0m (39.375")	522.0176.1
3	ABI-CAR E-1200 Series Bolt-On Track Guide Set	522.0178.1
4	Magnet ON/OFF with Screws	522.0177.1



ABI-CAR welding tractors.

Driving carriage with control unit

Power supply input : 120 – 240 V /
Output for control cable : 24 V

Cross support

Steering cable set for MIG/MAG wire feeding cases for common start of tractor and current source (open wire end)

Torch clamping (multi-axis adjustable)

Complete radius oscillator unit with control (only with ABI-CAR-E-1200-O)

Welding tractors ABI-CAR

ABI-CAR E-1200-O
Part-No.: 522.0070.1



ABI-CAR E-1200
Part-No.: 522.0069.1



Package with ABI-CAR.

Together with ABICOR BINZEL you will find the complete system solution for your welding task.

The experts at ABICOR BINZEL will be happy to advise you how to complete an optimal ABI-CAR package.

Package ABI-CAR with either:

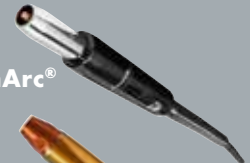
ABIMIG® SpinArc®

AUT Torch Series

DELTA-MIG®

ABIMIG® Torch Series

ABIMIG® SpinArc®



AUT Torch Series



DELTA-MIG®



ABIMIG® Torch Series



Welding tractor
ABI-CAR



BINZEL, S.A. DE C.V.
Municipio de Pabellon de Arteaga 102
Valle de Aguascalientes, 20358
San Francisco de los Romo, Ags. MEXICO
Tel: +52(499) 9730133
Fax: +52(449) 9731388
E-mail: info@binzel.com.mx

ABICOR BINZEL USA, Inc.
650 Medimmune Ct., Suite 110
Frederick, MD 21703-8619
Tel: 301.846.4196
Fax: 301.846.4497
customerservice@abicorusa.com

www.binzel-abicor.com

